

De-Alconox M

Membrane dealcoholization of beer



Membrane dealcoholization

- Preserves aroma and taste of beer, no oxygen pickup
- Processing at low operating temperature <math><10\text{ }^{\circ}\text{C}</math>
- Low energy consumption
- Compact design with minimum space requirement

Principle

The basic principle of this dealcoholization technology is the pressure driven separation of a water/alcohol-mixture from the alcoholic beverage through a semi-permeable membrane. The amount of remaining alcohol in the final product can be controlled with high flexibility and will be equal or lower than 0.5% ABV.

Since this process takes place at low temperatures, no heat-related off-flavors are produced. Choosing the right pore size also prevents the loss of valuable aromatic substances. The product is treated in a closed system so that no oxygen pickup occurs.

This process is characterized by low energy consumption.

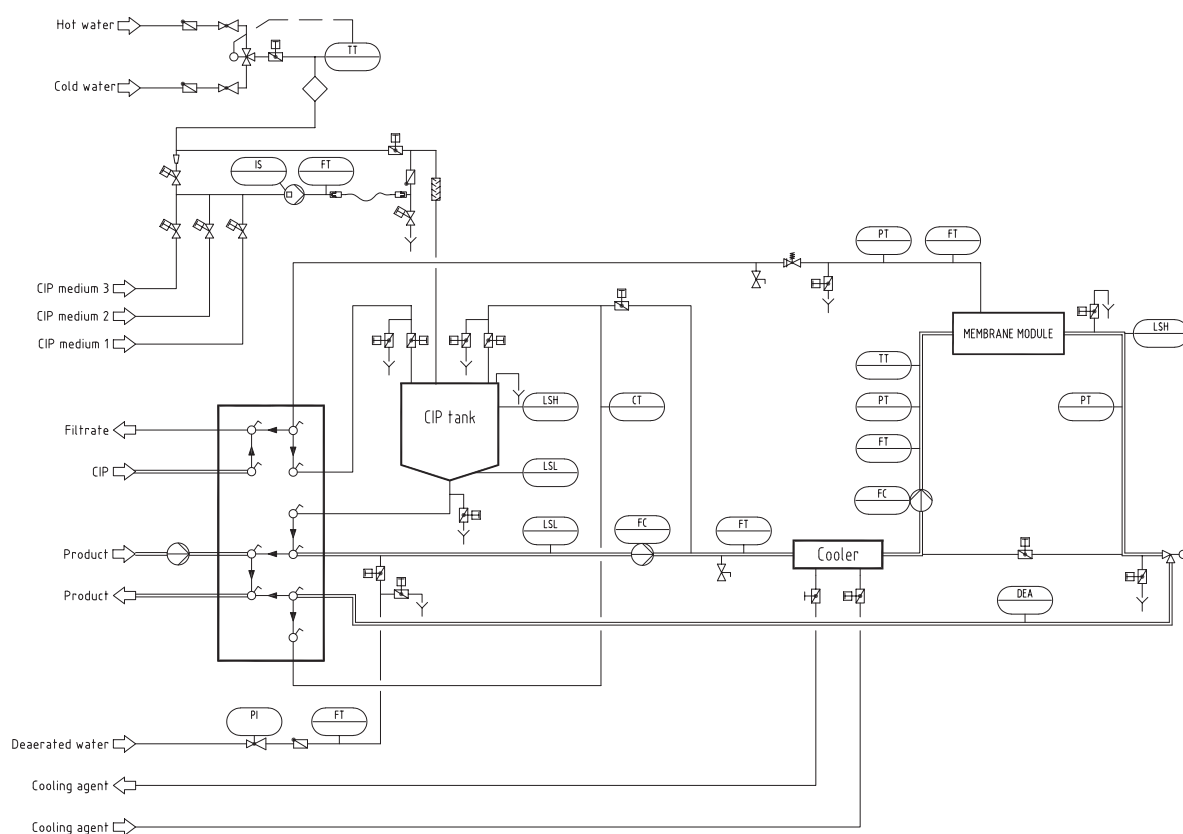
Process

In the first step, the concentration phase, a mixture of water and alcohol is separated from the product so that the volume of the product is reduced between 30 and 50 %. The second step causes a further reduction of the alcohol content by washing the remaining product with de-aerated water. The final alcohol content and the final volume of the dealcoholized product is determined by adding de-aerated water in the third step (Re-dilution phase).

Technical data / Capacities

Standardized membrane dealcoholization skids are available for daily production batches from 8 to 100 hl.

Process flow diagram



Bucher Denwel, spol. s r.o.
 K Hajum 2
 155 00 Praha
 Czech Republic
 +420 270 007 400
 sales@bucherdenwel.com
 bucherdenwel.com

Technical support
 +420 737 622 100
 service@bucherdenwel.com

Technical changes reserved.

Products

We develop and produce a wide range of specialized equipment and provide engineering solutions dedicated to help brewers to optimize their processes.

Combining experience and innovation we supply brewing equipment such as Filtration systems, Yeast plants, Water Deaeration, Blending, Carbonation, Dosing and Hard Seltzer systems, Dealcoholisation, CIP, Cold sterilisation, Flash Pasteurization and Beer tanks.

Services

We have a global presence. Our sales and service network is always available for you to provide consultancy, technical support and after sales service.