

# Stefinox

For cold sterile filtration of beer

---

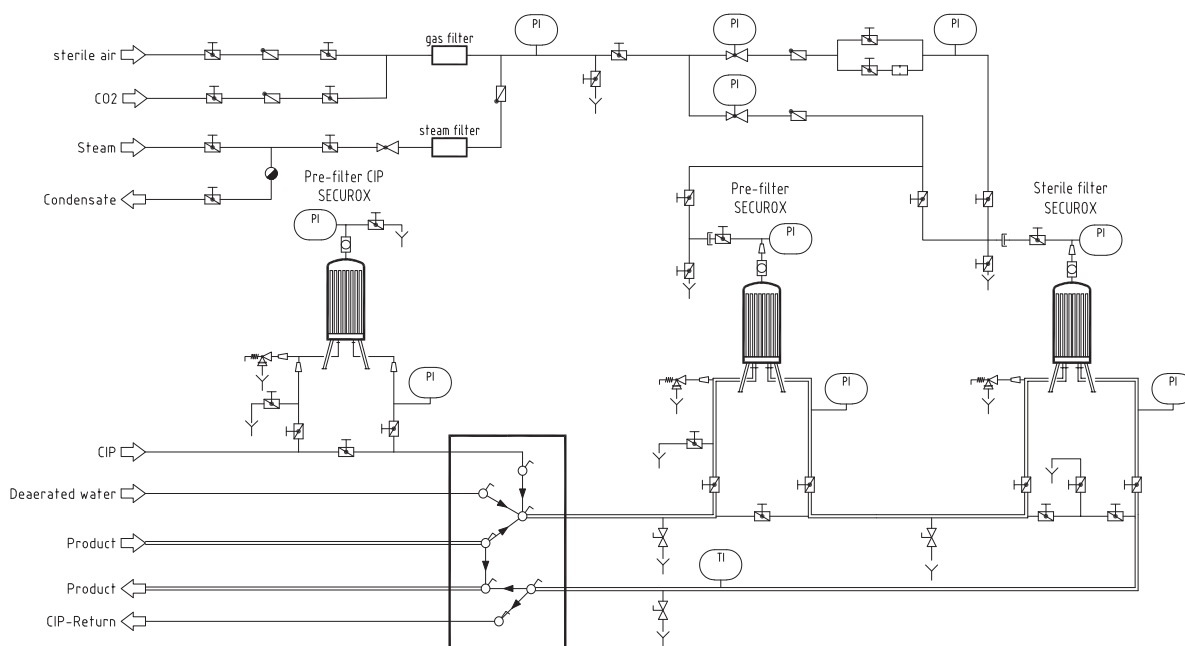


---

## Skids for sterile filtration of beer

- Standardised skids for easy installation
- Prefiltration - sterile filtration - media filtration all on one skid
- Maximum safety and cartridge lifetime
- Stand-alone skid or for integration

Process flow diagram



Application

Cold sterile filtration before the filler is an alternative to flash pasteurizing. The Bucher Denwel skid allows a flexible and easy-to-integrate solution for small to medium size breweries (flowrates from 0-500 hl/h). This safe solution for a reliable product shelf life uses standard cartridges, and an integrity test of these membrane cartridges can be performed before each run.

Technical data – capacity range for the skids

	Min flowrate skid in hl/h beer	Max flowrate skid in hl/h beer
STEFINOX 1	0	70
STEFINOX 2	70	200
STEFINOX 3	200	250
STEFINOX 4	250	500

- Wide variety of cartridges for prefiltration, sterile filtration and water filtration.
- Membrane cartridges can be integrity tested for a maximum safety.
- Installation at end of filter cellar or prior to filling.
- Modular design, flowrates from 0-500 hl/h of beer.

**Bucher Denwel, spol. s r.o.**  
 K Hajum 2  
 155 00 Praha  
 Czech Republic  
 +420 270 007 400  
 sales@bucherdenwel.com  
 bucherdenwel.com

**Technical support**  
 +420 737 622 100  
 service@bucherdenwel.com

Technical changes reserved.

**Products**

We develop and produce a wide range of specialized equipment and provide engineering solutions dedicated to help brewers to optimize their processes.

Combining experience and innovation we supply brewing equipment such as Filtration systems, Yeast plants, Water Deaeration, Blending, Carbonation, Dosing and Hard Seltzer systems, Dealcoholisation, CIP, Cold sterilisation, Flash Pasteurization and Beer tanks.

**Services**

We have a global presence. Our sales and service network is always available for you to provide consultancy, technical support and after sales service.