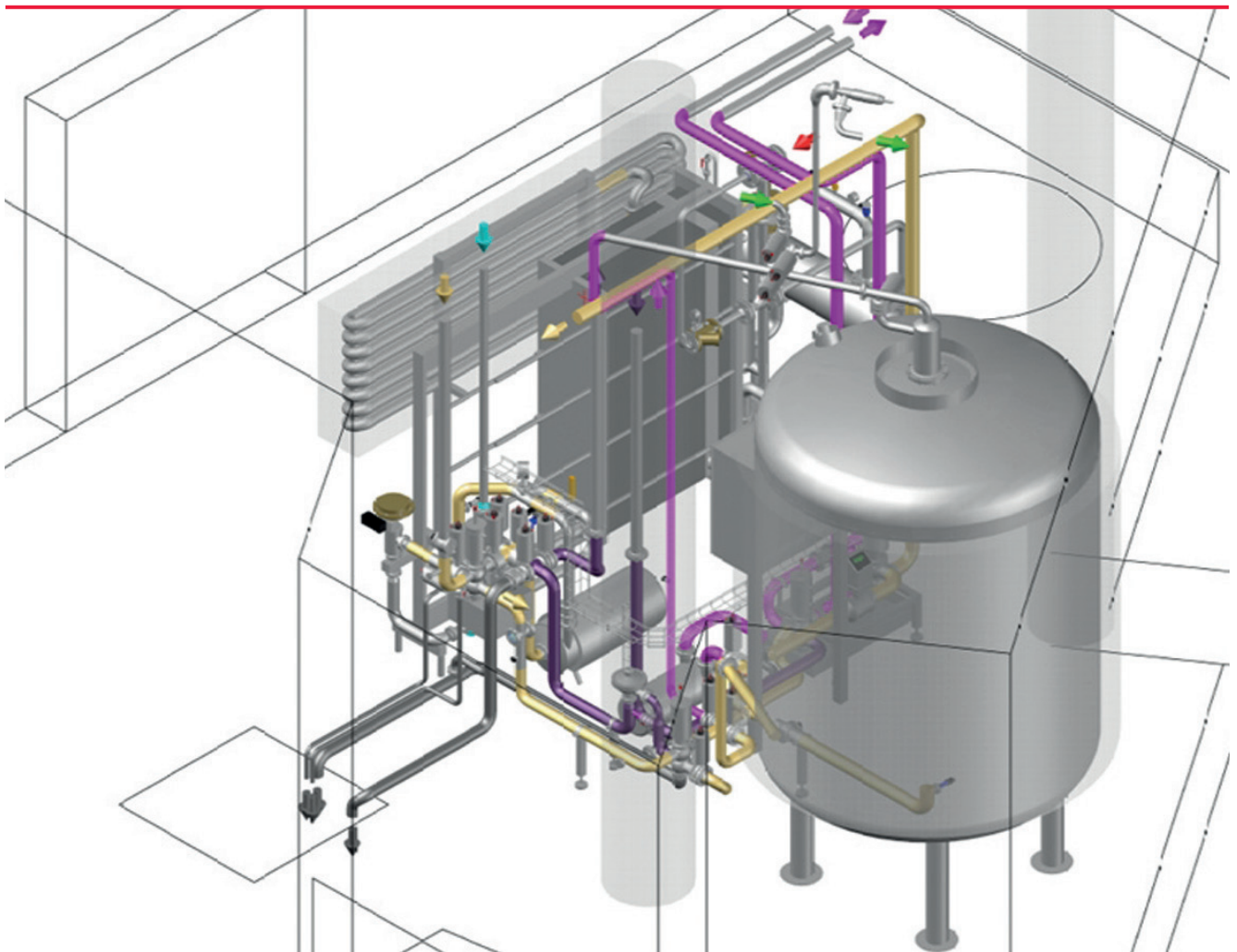


Engineering

Brewing



Engineering services

- Basic and Detailed Engineering
- Feasibility Studies
- Documentation for Tenders
- Technical and Technological Audits
- Process Automation



Engineering and Automation

Our engineers provide consulting, feasibility studies, project documentation for tenders, basic and detailed engineering, technical and technological audits. We deliver automation solutions based on PLC and SCADA. We manufacture PCC, LCC and pneumatic cabinets.

Our effective project management ensures that the project runs on time and within the budget, meets all service level commitments, keeps the team motivated and is focused on performance and successful realization. Customer satisfaction is our goal.

Technical support

Our comprehensive after sales service provides immediate and effective support as we understand service as the key to our success.

Automation

- Input & Output list
- Wiring & Pneumatic Diagram
- PLC
 - Siemens
 - Rockwell
- Visualization and Scada systems
 - WinCC
 - RS View
 - InTouch
- ProLeiT Brewmaxx
- Siemens BRAUMAT

Bucher Denwel, spol. s r.o.
 K Hajum 2
 155 00 Praha
 Czech Republic
 +420 270 007 400
 sales@bucherdenwel.com
 bucherdenwel.com

Technical support
 +420 737 622 100
 service@bucherdenwel.com

Technical changes reserved.

Products

We develop and produce a wide range of specialized equipment and provide engineering solutions dedicated to help brewers to optimize their processes.

Combining experience and innovation we supply brewing equipment such as Filtration systems, Yeast plants, Water Deaeration, Blending, Carbonation, Dosing and Hard Seltzer systems, Dealcoholisation, CIP, Cold sterilisation, Flash Pasteurization and Beer tanks.

Services

We have a global presence. Our sales and service network is always available for you to provide consultancy, technical support and after sales service.